

ROLEK NUT CRACKER

'Rolek' nut cracker developed by MPOB is an improved version of cracking palm nuts that can consistently produce the highest quality palm kernel. This invention was specifically designed to improve nut cracking efficiency at the mill up to 99%. The cracked mixture can be efficiently separated to produce shell-free kernel (<3% shell).

SPECIAL FEATURES:

- Produces low broken kernel (<12%), uncracked nuts (<1.0%) and half cracked nuts (<2.0%)
- Capable of cracking Tenera and Dura nuts
- Produces small and uniform size shell fragments (Tenera nuts) – facilitating efficient separation of shell and broken kernel using dry winnowing system
- Enables cracking most of Dura nuts into shell fragments: big shell and small shell

ADVANTAGE & COMMERCIAL BENEFITS

- Very low maintenance cost:
5 – 10 cents/tonne FFB compared to 15-25 cents for ripple mill/nut cracker.
- Dry Separation
Cracked mixture from Rolek cracker can be completely separated using dry separation process via winnowing columns.
- Operation cost saving Elimination or less dependent on claybath/hydrocyclone process – reduction effluent discharge.

CRACKING PRINCIPLE

- Cracking mechanism based on interaction between sleeved rods and body liner
- The gap between rods and body liner where cracking take place are precisely preset to break only nuts without causing kernel breakage
- The clearance between rods and body liner can be varied to break all sizes of nuts
- Low kernel breakage and maintenance cost

Capacity

MK 4: 4 – 5 tonnes/hr

MK 5: 5 – 6 tonnes/hr

For further details, kindly contact:

Rohaya Halim Tel: 03-87694448 H/P: 019-3852448 Fax: 03-89262971

Email: rohaya@mpob.gov.my



Patent Application:
Malaysian PI 200414429, Indonesia P-0020040062

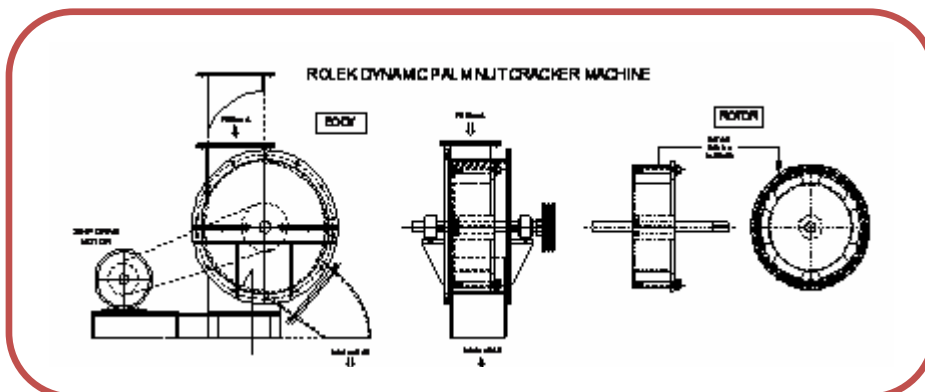


Dura nuts

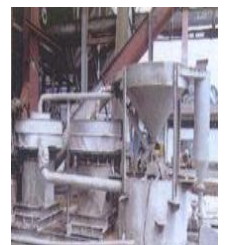
Cracked mixture



Shell Fragments



4-stage winnowing column



Claybath



HUR FAR ENGINEERING WORKS SDN.BHD (182301-M)

LOT 7529, BATU 31/2, JALAN MAHARAJALELA, 36000 TELUK INTAN, PERAK DARUL RIDZUAN

TEL: 605-6212113, 6233489 & 6211115 H/P: 6012-5181083, 019-5751083 & 012-5881083

FAX: 605-6213113 & 6229099 EMAIL: hurfar@streamyx.com, hurfar1083@yahoo.com

WEBSITE: www.hurfar.com.my

